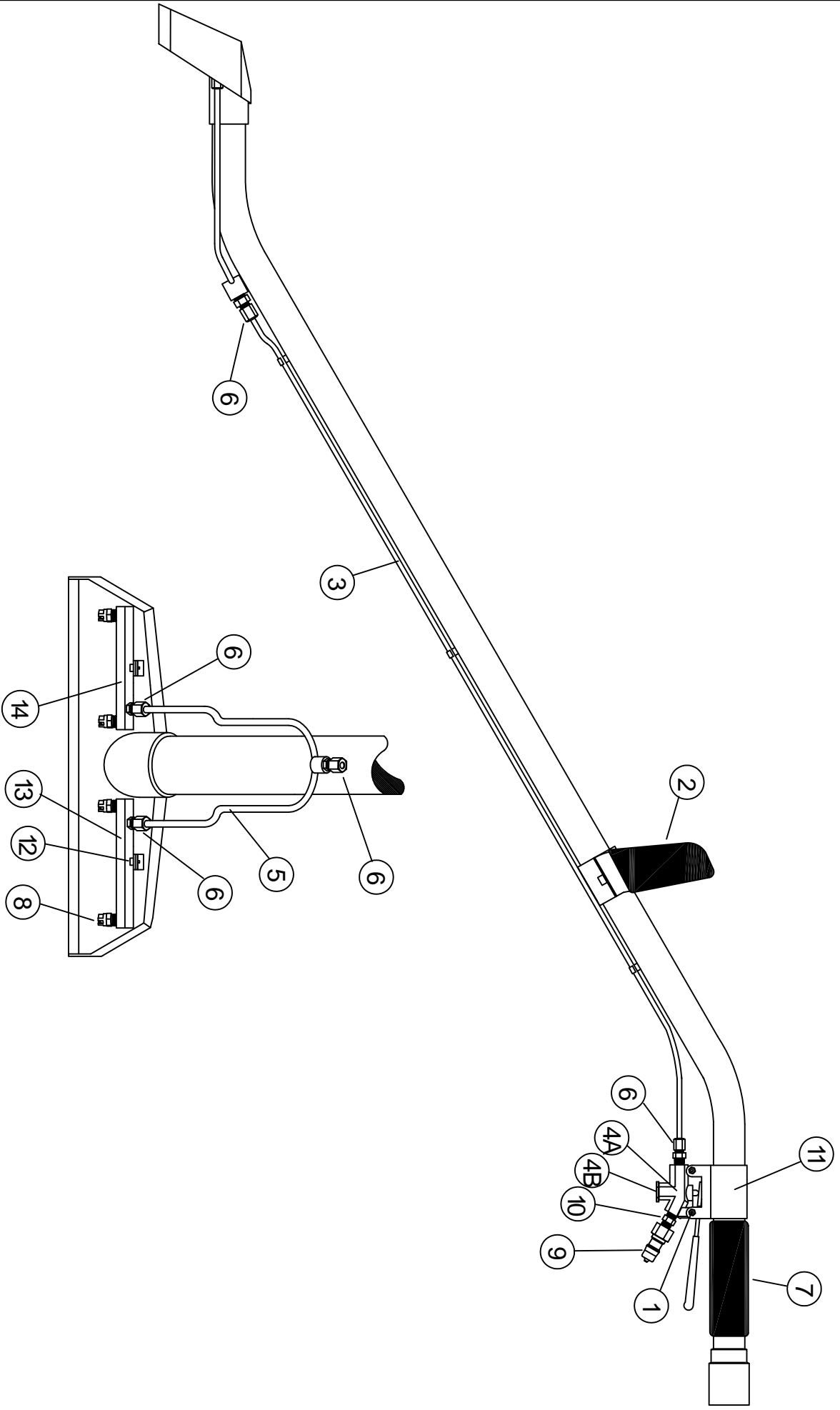


WAND 1 3/4 S-BEND 4 JET (250-017)



PART NO.	250-017
DATE	OCT, 18, 2005
VERSION	01

WAND 1-3/4 S-BEND 4 JET (250-017)

REF	PART NO.	DESCRIPTION	NOTES:
1	400-148	Locknut 4 x 40 Nylon S.S	
2	435-022	Handle, Wand 1-3/4 Tube	
3	480-200	Tubing 1/4 S.S	
4A	535-011	Valve Angle (c/w trigger)	
4B	540-015	Repair kit	
5	564-060	Manifold 2 jet S-Bend	
6	555-108	Comp Fitting 1/4 x 1/4	
7	553-201	Vinyl Grip, 1-3/4 x 6	
8	561-003	Vee Jet (9501)1/8	
9	580-015	Q.C 1/4" Male (Closed)	
10	555-572	Hex Nipple, 1/4"	
11	538-221	Valve Hanger 1-3/4, Angle Valve	
12	410-100	Screw	
13	564-065	Manifold Left	
14	564-070	Manifold Right	

Oct,18,2005(v1)