



PLEASE READ AND SAVE THESE INSTRUCTIONS

PRO DRY II

AIRMOOVER

OWNER'S MANUAL

MFR PN: X-600

3750 - 19 Street NE
Calgary, AB T2E 6V2
Canada
Ph: (403) 291-7050
Fax: (403) 291-0546

Index

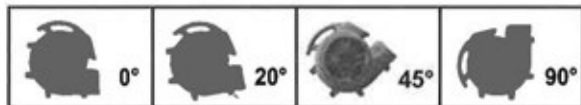
Introduction	2
Operation / Instructions.....	3
Safety Instructions.....	4
Maintenance Instructions / Troubleshooting.....	5
Specifications.....	6
Parts List	7

Introduction

PRO DRY II (MFR PN: X-600) Air Mover is a professional level and multipurpose professional Air Mover with the most efficient engineering design. PRO DRY II is ETL/CETL certified.

Features:

- Low amp draw with high airflow capacity.
- Super quiet motor and super lightweight.
- Easy carrying handle and stackable.
- Easy and quick to disassemble for thorough cleaning and service.
- 25 ft. cord with easy cord wrap design.
- Easy cord wrap on handle.
- 3-speed switch.
- 4 air-flow positions for PRO DRY II model (0°, 20°, 45°, 90°).



Operation / Instructions

PRO DRY II Air Mover is intended to move air and to dry floors, walls, furniture, etc. Durable and easy to operate with an effective balance of static pressure and airflow, the units are suitable for a variety of applications.

1. PRO DRY II Air Mover is shipped ready-to-use. Prior to plugging the unit into the power source, inspect completely for any shipping damage.
2. Plug the electrical cord into the power outlet.
3. Carefully place the Air Mover unit on a stable, flat dry surface.
4. The unit has four position capabilities to aim airflow across flat surfaces or angled upward.
5. Turn the switch to select desired speed, while making sure unit operates normally.
6. All Air Movers in operation must be supervised at all times.



AIR MOVER STORAGE:

Air Movers can be stacked (up to 4) on their sides for storage.

NOTICE:

Stacking feature is not secure for transportation.

Safety Instructions

1. To prevent electric shock, do not operate the unit in standing water. Never plug in or unplug the unit with wet hands or while standing in water.
2. To avoid risk of injury, do not direct air flow at face or any part of body.
3. To reduce the risk of fire or electric shock, do not use the Air Mover with any solid-state speed control device.
4. Use only with GFCI protected receptacles. Please contact a qualified electrician for verification and / or install GFCI receptacle if necessary.
5. Do not operate any Air Mover with a damaged cord or plug. Discard the unit or return it to an authorized service facility for examination and/or repair.
6. Unplug the Air Mover from the power supply before moving, servicing or cleaning.
7. Do not run the power cord under carpeting. Do not cover the power cord with throw rugs, runners, or similar coverings. Place the power cord away from traffic area to prevent tripping.
8. Do not allow children to play with or around an Air Mover at any time.
9. Do not move or carry an Air Mover while unit is operating.
10. All Air Movers in operation must be supervised at all times.
11. To reduce the risk of injury, disconnect from power supply before servicing.

Maintenance Instructions

1. To keep the Air Mover clean, use a damp cloth to wipe the surface of the housing.
2. Never clean the Air Mover with water directly.
3. When not in use, unplug and store the Air Mover in a dry indoor place out of reach of children.
4. Always disconnect the Air Mover from its power source before performing any maintenance or cleaning.

Troubleshooting

For any problems not listed below, call your local distributor or contact our Service Department.

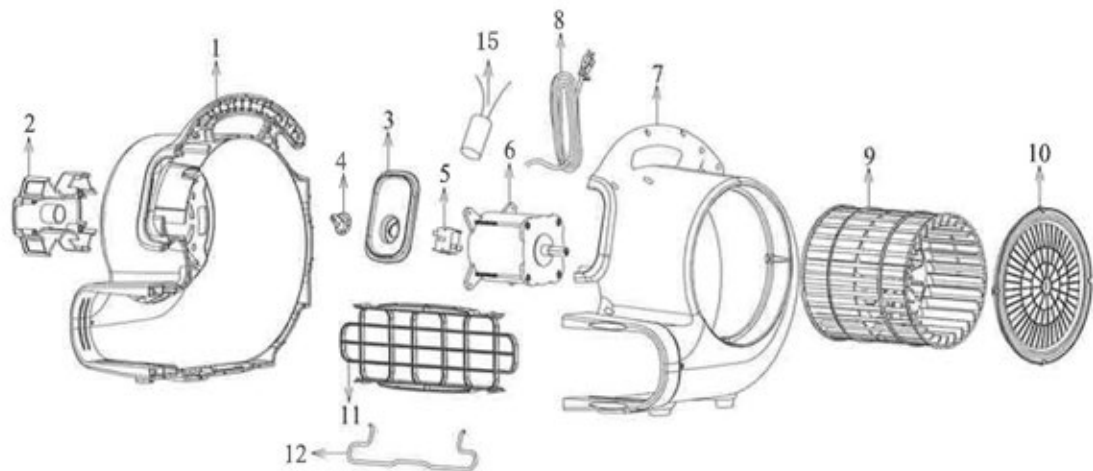
PROBLEM	POSSIBLE CAUSE	SOLUTION
Air Mover not running	No power input	Plug in the Air Mover; check circuit breaker
	Switch not turned on	Turn on switch
	Air Mover fan wheel jammed	Remove material jamming fan wheel
	Intake or exhaust blocked	Turn unit off and allow to cool, then remove blockage
Air Mover vibrates	Accumulation of dirt on fan blades	Clean Air Mover fan blades

Specifications

Model	PRO DRY II (X-600)
Volt/Frequency	115V, 60Hz
Power	1/3 hp
Amp	3.8 A
Weight (NW / GW) lbs	19.8 / 23.5
Speeds	Three
Dimension (L x W x H) inch	15.9x15.7x16.3 / 16.7x16.5x17.1
Color	Dark blue
Cord (Length / Dia)	25 ft / 18 AWG
Overheating Protecting	Thermally Protected
Rated Airflow (on high)	2400 CFM
Positions	4 (0°, 20°, 45°, 90°)
Housing	ABS

Parts List

Item No.	Parts Name	Item No.	Parts Name
1	Left Housing	2	Grid Cover (Motor Side)
3	Switch Plate	4	Switch Knob
5	Switch	6	Motor
7	Right Housing	8	Power Cord
9	Fan	10	Grid Cover (Fan Side)
11	Air Outlet Grid Cover	12	Kick Stand
13	Rubber Feet (Not Shown)	14	Screws and Nuts (Not Shown)
15	Capacitor		



PRO DRY II
AIRMOVER