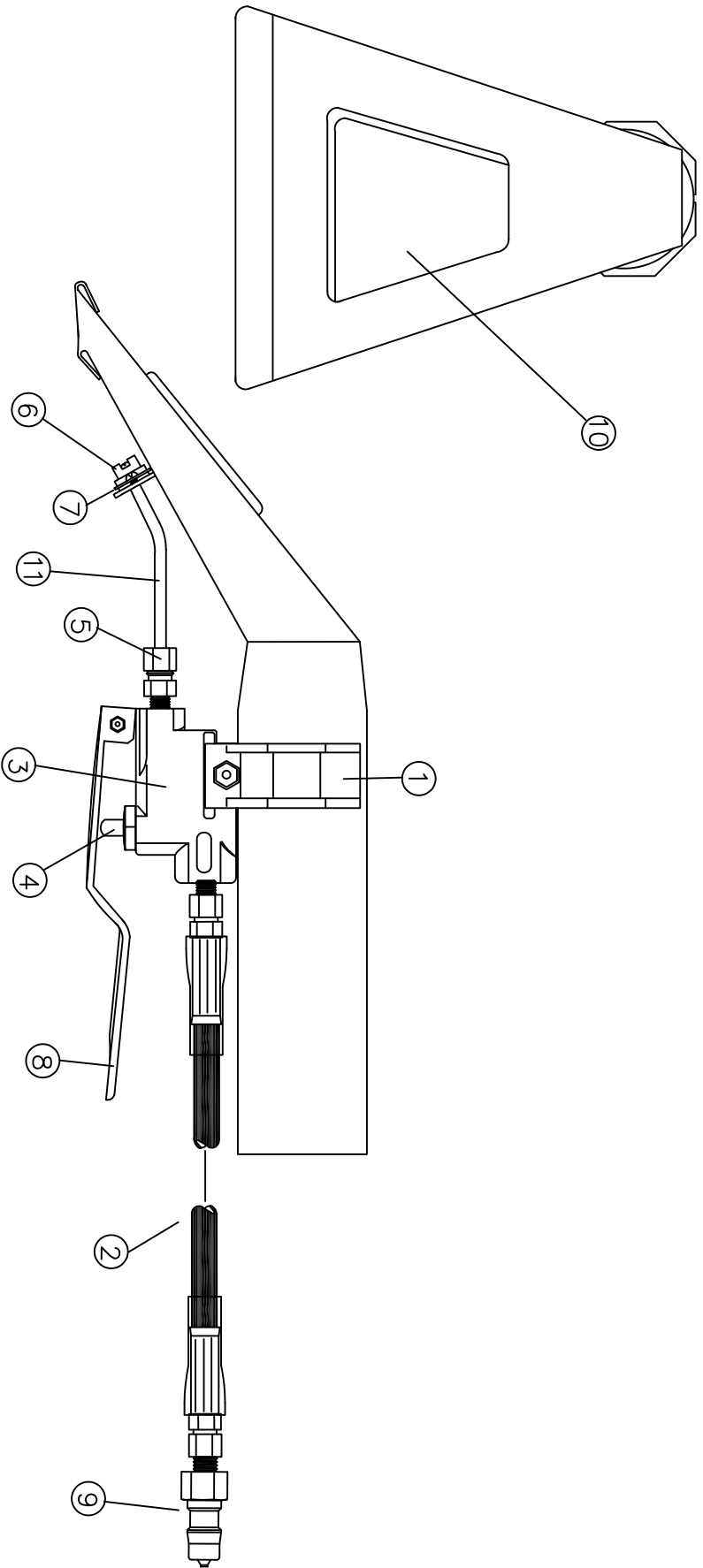


**DETAIL TOOL 3 1/2" VIEW WINDOW
(255-055)**



PART NO.	255-055
DATE	DEC, 14, 2004
VERSION	01

DETAILER TOOL 3.5" VIEW WINDOW (255-055)

REF	PART NO.	DESCRIPTION	NOTES:
1	538-212	Valve Hanger	
2	255-300	12" Whip Line	
3	535-105	Valve ASSY	
4	538-025	Valve Repair kit	
5	555-106	1/8" x 1/4" Comp Fitting	
6	562-086	Tee Jet 8003	
7	564-250	Jet Retainer Plate & Hardware	
8	566-020	Handle Detailer	
9	580-015	Q.C 1/4 Male (close)	
10	538-305	Replacement View Window Kit	
11	564-160	Manifold	