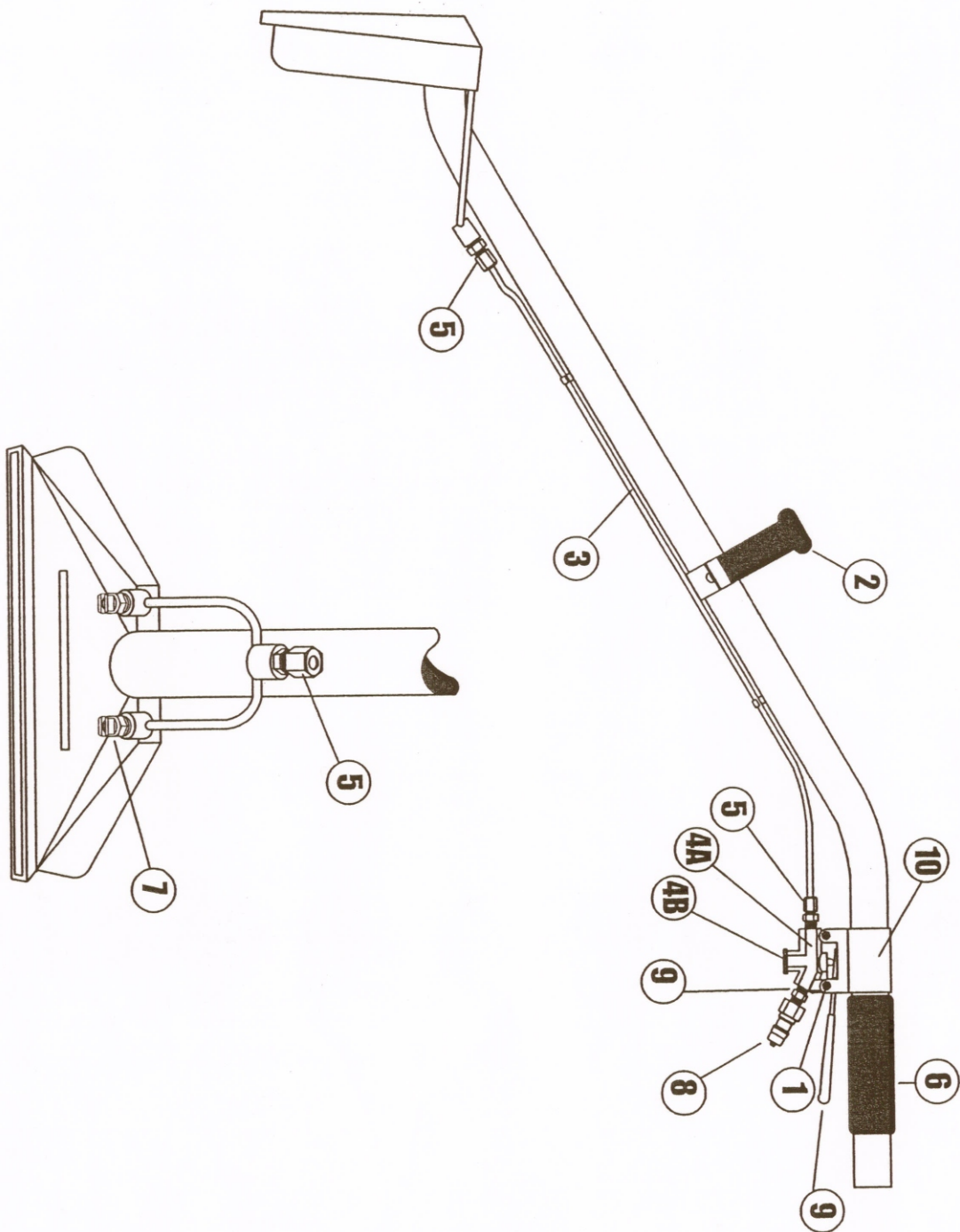


STAIR TOOL, 36" S-BEND
(255-116)



PART NO.	250-116
DATE	OCT, 18, 2005
VERSION	01

STAIR TOOL, 36" S-BEND (255-116)

REF	PART NO.	DESCRIPTION	NOTES:
1	400-148	Locknut 4 x 40 Nylon S.S.	
2	435-021	Handle, Wand 1.5 Tube	
3	480-200	Tubing 1/4 S.S.	
4A	535-012	Valve Angle Brass (c/w trigger)	
4B	540-015	Repair Kit	
5	555-108	Comp Fitting 1/4 x 1/4	
6	553-200	Vinyl Grip, 1-1/2 x 6	
7	561-130	Vee Jet (11001.5) 1/4	
8	580-015	Q.C. 1/4" Male (Closed)	
9	555-572	Hex Nipple, 1/4"	
10	538-220	Valve Hanger 1-1/2	